

Project _____
 Item _____
 Quantity _____
 CSI Section 11400
 Approved _____
 Date _____

Indigo® Series

522 Ice Cube Machine

Indigo® Series

Models – 60Hz

- IR-0520A ID-0522A IY-0524A IR-0521W ID-0523W IY-0525W



Indigo Series i-522
Ice Machine on
B-420 Bin

Designed for operators who know that ice is critical to their business, the Indigo® Series ice machine's preventative diagnostics continually monitor itself for reliable ice production. Improvements in cleanability and programmability make your ice machine easy to own and less expensive to operate.

- **Space-Saving Design** – Up to 485 lbs. (220 kgs.) daily ice production and only 22" (55.88 cm) wide.
- **Intelligent Diagnostics** – provide 24 hour preventative maintenance and diagnostic feedback for trouble free operation.
- **Acoustical Ice Sensing Probe** – for reliable operation in challenging water conditions.
- **EasyRead® Display** – communicates operating status, cleaning reminders, and asset information through a blue illuminated display.
- **Programmable Ice Production** – by On/Off Time, Ice Volume or Bin Level (with accessory bin level control) further improves energy efficiency and savings.
- **Easy to Clean Foodzone** – Hinged front door swings out for easy access. Removable water-trough, distribution tube, curtain, and sensing probes for fast and efficient cleaning. Select components made with AlphaSan® antimicrobial.
- **DuraTech™ Exterior** – provides superior corrosion resistance. Stainless finish with innovative clear-coat resists fingerprints and dirt.
- Available **LuminIce® II Growth Inhibitor** controls the growth of bacteria and yeast within the foodzone.

Ice Machine Electric

115/60/1 standard. (208-230/60/1 and 230/50/1 also available)

Minimum circuit ampacity: **Maximum fuse size:**
 Air-cooled: 14.4-1ph Air-cooled: 20-1ph
 Water-cooled: 13.5-1ph Water-cooled: 20-1ph

Specifications

BTU Per Hour:
 5,300 (average)
 6,100 (peak)

Refrigerant:
 R-404A CFC-free

Operating Limits:

- Ambient Temperature Range: 35° to 110°F (1.7° to 43.3°C)
 Water Temperature Range: 35° to 90°F (1.7° to 32.2°C)
- Water Pressure Ice Maker Water In: Min. 20 psi (137.9 kPa)
 Max. 80 psi (551.1 kPa)



Ice Shape



Half Dice
 $\frac{3}{8}$ " x $1\frac{1}{8}$ " x $\frac{7}{8}$ "
 (.95 x 2.86 x 2.22 cm)



Dice
 $\frac{7}{8}$ " x $\frac{7}{8}$ " x $\frac{7}{8}$ "
 (2.22 x 2.22 x 2.22 cm)



Regular
 $1\frac{1}{8}$ " x $1\frac{1}{8}$ " x $\frac{7}{8}$ "
 (2.86 x 2.86 x 2.22 cm)

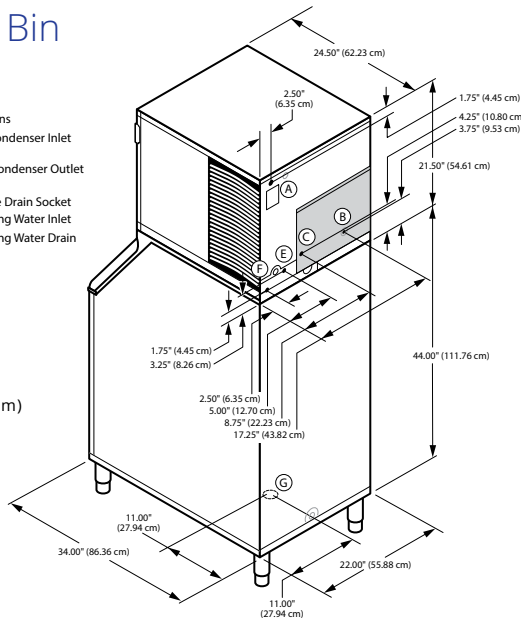


COMPANY WITH
 QUALITY SYSTEM
 CERTIFIED BY DNV
 = ISO 9001:2008 =



i-522 on B-420 bin Storage Bin

- Ⓐ Electrical Entrance (2 Options)
- Ⓑ 3/8" (0.95 cm) F.P.T. Water Condenser Inlet (water-cooled units)
- Ⓒ 1/2" (1.27 cm) F.P.T. Water Condenser Outlet (water-cooled units)
- Ⓓ 1/2" (1.27 cm) Auxillary Base Drain Socket
- Ⓔ 3/8" (0.95 cm) F.P.T. Ice Making Water Inlet
- Ⓕ 1/2" (1.27 cm) F.P.T. Ice Making Water Drain
- Ⓖ 3/4" (1.91 cm) Bin Drain



Installation Note

Minimum installation clearance:

Top/sides: 12" (30.5 cm)
Back is 5" (12.7 cm)

Space-Saving Designs



**i-522
B-420**

**i-522
B-400***

Height	71.50"/181.61 cm	59.50"/151.13 cm
Width	22.00"/55.88 cm	30.00"/76.20 cm
Depth	34.00"/86.30 cm	34.00"/86.30 cm
Bin Storage	310 lbs./140.7 kgs.	290 lbs./131.7 kgs.

Height includes adjustable bin legs 6.00" to 8.00", (15.24 to 20.32 cm) set at 6.00" (15.24 cm).

* K-00365 bin adapter required.

Specifications

Model	Ice Shape	Ice Production 24 Hours		Power Usage kWh/100 lbs. @90°Air/70°F	Water Usage / 100 lbs. 45.4 kgs. of Ice	ENERGY STAR®
		70°Air/ 50°F Water	90°Air/ 70°F Water		Potable Water	
AIR-COOLED IR-0520A	regular	415 lbs.	290 lbs.	7.23	23.8 Gal.	
		188 kgs.	132 kgs.		90.1 L	
	ID-0522A	dice	475 lbs.	335 lbs.	6.64	
215 kgs.			152 kgs.	90.1 L		
IY-0524A	half-dice	485 lbs.	360 lbs.	6.45	23.8 Gal.	
		220 kgs.	163 kgs.		90.1 L	
WATER-COOLED IR-0521W	regular	395 lbs.	350 lbs.	5.19	23.8 Gal.	NA
		179 kgs.	159 kgs.		90.1 L	
	ID-0523W	dice	460 lbs.	375 lbs.	5.09	
209 kgs.			170 kgs.	90.1 L		
IY-0525W	half-dice	480 lbs.	395 lbs.	4.87	23.8 Gal.	
		218 kgs.	179 kgs.		90.1 L	

* Water-cooled Condenser Water Usage / 100 lbs. /45.4 kgs. Of ice: 190 gal/ 719 L.

* Water-cooled models are excluded from ENERGY STAR qualification.

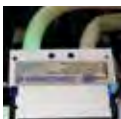
Order ice storage bin separately.

Indigo® Series

Accessories

Lumince® II Growth Inhibitor

reduces yeast and bacteria growth for a cleaner ice machine.



Bin Level Control

Allows ice bin level to be automatically set. Built-in LED light illuminates bin.



Arctic Pure® Water Filters

Reduces sediment and chlorine odors for better tasting ice.



iAuCS®

schedules and performs routine ice machine cleaning automatically.



Welbilt reserves the right to make changes to the design or specifications without prior notice.