

Project _____
 Item _____
 Quantity _____
 CSI Section 11400
 Approved _____
 Date _____

Indigo® Series

500 Ice Cube Machine

Models – 60Hz

- IR-0500A
 ID-0502A
 IY-0504A
 IR-0501W
 ID-0503W
 IY-0505W
 ID-0592N
 IY-0594N



Indigo® Series



Indigo Series i-500
Ice Machine on B-570 Bin

Designed for operators who know that ice is critical to their business, the Indigo® Series ice machine's preventative diagnostics continually monitor itself for reliable ice production. Improvements in cleanability and programmability make your ice machine easy to own and less expensive to operate.

- **Space-Saving Design** – Up to 560 lbs. (254 kgs.) daily ice production and only 30" (76.20 cm) wide.
- **Intelligent Diagnostics** – provide 24 hour preventative maintenance and diagnostic feedback for trouble free operation.
- **Acoustical Ice Sensing Probe** – for reliable operation in challenging water conditions.
- **EasyRead® Display** – communicates operating status, cleaning reminders, and asset information through a blue illuminated display.
- **Programmable Ice Production** – by On/Off Time, Ice Volume or Bin Level (with accessory bin level control) further improves energy efficiency and savings.
- **Easy to Clean Foodzone** – Hinged front door swings out for easy access. Removable water-trough, distribution tube, curtain, and sensing probes for fast and efficient cleaning. Select components made with AlphaSan® antimicrobial.
- **DuraTech™ Exterior** – provides superior corrosion resistance. Stainless finish with innovative clear-coat resists fingerprints and dirt.
- Available **LuminIce® II Growth Inhibitor** controls the growth of bacteria and yeast within the foodzone.

Ice Machine Electric

115/60/1 standard. (208-230/60/1 and 230/50/1 available in Air and Water-Cooled models only)

Minimum circuit ampacity:	Maximum fuse size:
Air Cooled: 14.2	Air Cooled: 20.0
Water Cooled: 13.5	Water Cooled: 20.0
Remote: 20.0	Remote: 25.0

Specifications

BTU Per Hour:
 6,100 (average)
 6,900 (peak)

Refrigerant:
 R-404A CFC-free

- Operating Limits:**
- Ambient Temperature Range: 35° to 110°F (1.7° to 43.3°C)
 Water Temperature Range: 35° to 90°F (1.7° to 32.2°C)
 - Water Pressure Ice Maker Water In:
 Min. 20 psi (137.9 kPa)
 Max. 80 psi (551.1 kPa)



Ice Shape



Half Dice
 $\frac{3}{8}$ " x $1\frac{1}{8}$ " x $\frac{7}{8}$ "
 (.95 x 2.86 x 2.22 cm)



Dice
 $\frac{7}{8}$ " x $\frac{7}{8}$ " x $\frac{7}{8}$ "
 (2.22 x 2.22 x 2.22 cm)



Regular
 $1\frac{1}{8}$ " x $1\frac{1}{8}$ " x $\frac{7}{8}$ "
 (2.86 x 2.86 x 2.22 cm)

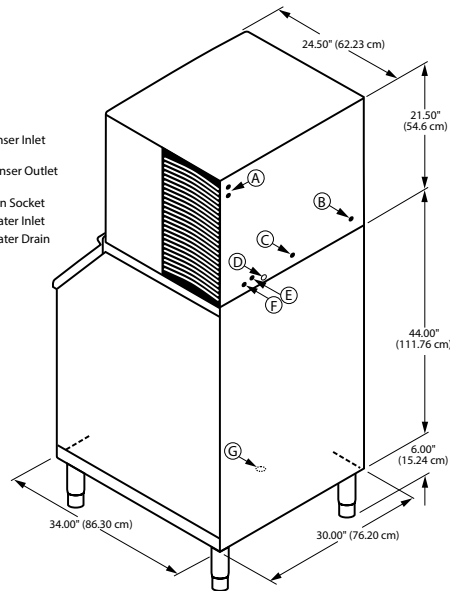


COMPANY WITH
 QUALITY SYSTEM
 CERTIFIED BY DNV
 = ISO 9001:2008 =



i-500 on B-570 Storage Bin

- (A) Electrical Entrance (2) Options
- (B) 3/8" (0.95 cm) F.P.T. Water Condenser Inlet (water-cooled units)
- (C) 1/2" (1.27 cm) F.P.T. Water Condenser Outlet (water-cooled units)
- (D) 1/2" (1.27 cm) Auxillary Base Drain Socket
- (E) 3/8" (0.95 cm) F.P.T. Ice Making Water Inlet
- (F) 1/2" (1.27 cm) F.P.T. Ice Making Water Drain
- (G) 3/4" (1.91 cm) Bin Drain



Installation Note

Minimum installation clearance:

Top/sides: 8" (20.32 cm);
Back is 5" (12.7 cm)

Space-Saving Designs



i-500 B-400 **i-500 B-570**

Height	59.50" / 151.13 cm	71.50" / 181.61 cm
Width	30.00" / 76.20 cm	30.00" / 76.20 cm
Depth	34.00" / 86.30 cm	34.00" / 86.30 cm
Bin Storage	290 lbs. / 131.54 kgs.	430 lbs. / 195.04 kgs.

Height includes adjustable bin legs 6.00" to 8.00", (15.24 to 20.32 cm) set at 6.00" (15.24 cm).

Specifications

		Ice Production 24 Hours				Power Usage kWh/100 lbs. @90°Air/70°F	Water Usage / 100 lbs. of Ice		ENERGY STAR®
		70°Air/ 50°F Water		90°Air/ 70°F Water		1 Ph	Potable Water		
	Model	Ice Shape							
AIR-COOLED	IR-0500A	regular	500 lbs.	227 kgs.	370 lbs.	168 kgs.	5.94	19.9 Gal. / 75.3 L	★
	ID-0502A	dice	530 lbs.	240 kgs.	390 lbs.	177 kgs.	5.79	19.9 Gal. / 75.3 L	★
	IY-0504A	half-dice	560 lbs.	254 kgs.	410 lbs.	186 kgs.	5.73	19.9 Gal. / 75.3 L	★
WATER-COOLED	IR-0501W	regular	500 lbs.	227 kgs.	420 lbs.	191 kgs.	4.58	19.9 Gal. / 75.3 L	NA
	ID-0503W	dice	550 lbs.	249 kgs.	430 lbs.	195 kgs.	4.58	19.9 Gal. / 75.3 L	NA
	IY-0505W	half-dice	550 lbs.	249 kgs.	440 lbs.	200 kgs.	4.52	19.9 Gal. / 75.3 L	NA
* Water-cooled Condenser Water Usage / 100 lbs. /45.4 kgs. of Ice: 165 gal/625 L.									
* Water-cooled models are excluded from ENERGY STAR qualification.									
REMOTE-COOLED	ID-0592N	dice	479 lbs.	217 kgs.	418 lbs.	190 kgs.	6.11	19.9 Gal. / 75.3 L	NA
	IY-0594N	half-dice	500 lbs.	227 kgs.	432 lbs.	196 kgs.	6.09	19.9 Gal. / 75.3 L	NA

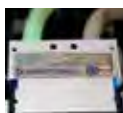
Order ice storage bin separately. Ice storage bin and JC-0495 remote condenser must be ordered separately. Consult remote condenser specification sheet for details.

Indigo® Series

Accessories

Luminice® II Growth Inhibitor

reduces yeast and bacteria growth for a cleaner ice machine.



Bin Level Control

Allows ice bin level to be automatically set. Built-in LED light illuminates bin.



Arctic Pure® Water Filters

Reduces sediment and chlorine odors for better tasting ice.



iAucs®

schedules and performs routine ice machine cleaning automatically.



Welbilt reserves the right to make changes to the design or specifications without prior notice.